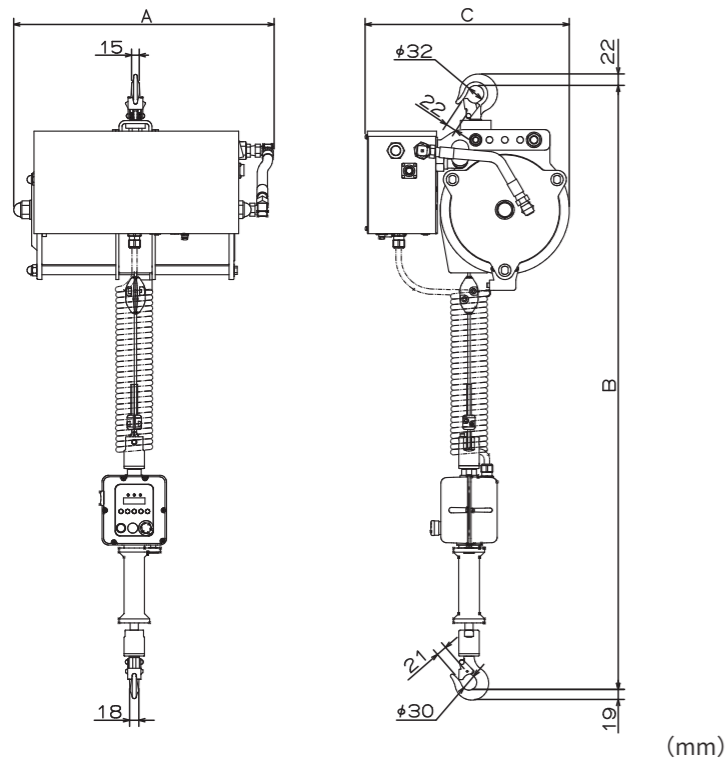


Specification

Model	Air pressure (MPa)	Lifting capacity (kg)	Travel (m)	Mass (kg)	Wire rope dia. (mm)	Power sources		
						Air connection	Electricity	
EDB-50	0.4	20	1.9	42	Φ4.76	Rc1/2	AC100-240V	
	0.5	30						
	0.6	40						
	0.7	50						
EDB-85	0.4	40						43
	0.5	55						
	0.6	70						
	0.7	85						
EDB-130	0.4	61		50				
	0.5	84						
	0.6	107						
	0.7	130						

ENDO

Demension



Model	A	B		C
		MIN.	MAX.	
EDB-50	509	1135	3035	378.5
EDB-85	509	1179	3079	399
EDB-130	509	1235	3135	452.5

We propose various options with Magical balancer



ENDO KOGYO CO., LTD.

3-14-7, Akiba cho, Tsubame, Niigata, 959-1261, Japan
 ☎ +81-256-62-5133 📠 +81-256-62-5772
 🌐 www.endo-kogyo.co.jp/english

ENDO KOGYO INDIA PVT. LTD.

101, First floor, Aditya Towers, Lulla Nagar,
 Off Kondhwa Road, Pune-411 040, India
 ☎ +91-8600042752
 🌐 www.endo-india.co.in ✉ info@endo-india.co.in

Note: Items showed in this catalogue are subject to change without notice. Please note that we have no responsibility for missing and fault on this printing.

Issued in September 2020



Magical Balancer

Maneuverable
 Ergonomics
 High quality
 from Japan

Maneuverable, Ergonomic and “Magical”



Controlled by Electricity

Driven by Air

2 modes of operation to increase work efficiency and safety

Manual operation Balance an object directly



Manual operation controls an object directly with little effort. It is possible to easily adjust the level of an object to the position you want it.

Grip operation Hoist an object by the grip switch



Grip operation hoists an object with the grip switch control. It handles heavy objects efficiently with less burden on the operator.

Fall-arrest system will be activated when the power sources cut off.

Operation modes are switched automatically. A beep and light will alert the user. (Manual switching is also available)

Manual

Grip

Magical balancer is a perfect choice when you need assistance with...

- Positioning in assembly shops
- Setting workpieces to machines
- Material handling with a jig
- Changing a mold etc...

Application at our factory!

We try our Magical Balancer on our production line.

■ Product handling

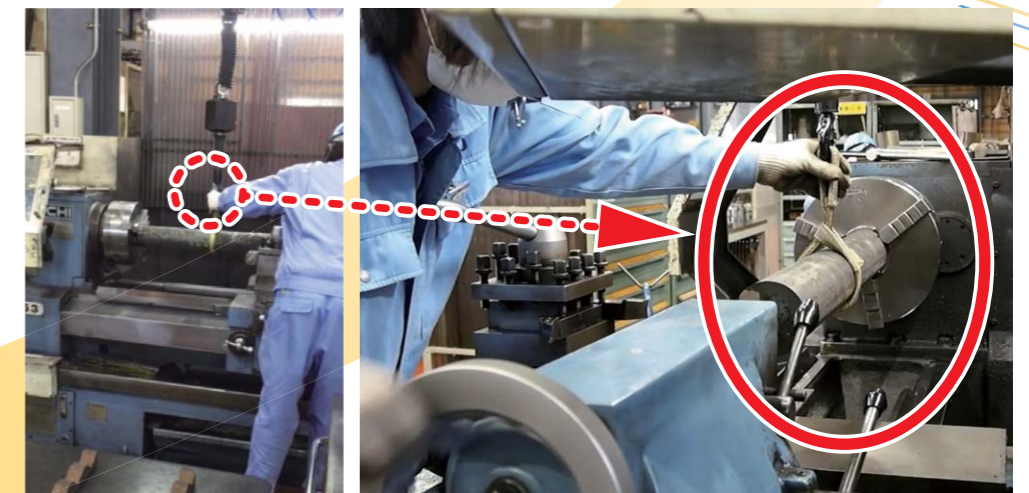


Manual operation sets the jig smoothly

Grip operation lifts up the product

Magical balancer assists carrying and packaging the product. The product is set into a frame in a package with Manual operation. The operation is performed with no shock and no damage to the product.

■ Setting a workpiece to a lathe machine



Manual operation helps the operator to set a workpiece to a lathe machine

Magical balancer supports precise adjustment. It eliminates the inching process and frees the operator from direct handling of heavy workpieces.

Magical balancer introduction (ENDO web site)



Magical balancer videos (ENDO Youtube ch.)

