



Users Manual

Spring Balancer

EK-00

EK-0

Copied digital data from
<https://www.endo-kogyo.co.jp>



For safe and correct operation of the product, please be sure to read this manual and fully understand its content before use.

After reading keep the manual safe so that you can find and use it readily.

In case of resale or transfer of this product, make sure to transfer the manual to the new owner.

CONTENTS

1. Introduction.....	3
Notation in this manual	3
Scope of warranty and liabilities for the equipment	4
Definition of intended users for this manual	4
Emergency contact in case of malfunctions	5
2. Precautions for handling.....	5
3. Unpacking and Installation.....	5
3-1 Packaging arrangement and transportation	5
3-2 Checks after unpacking	5
4. Product Description	6
4-1 Operating environment	6
4-2 Product specifications	6
4-3 Applicable standards	7
5. Installation	7
5-1 Preparation and checks before installation	7
5-2 Installation procedures	8
5-3 Post-installation checks	10
6. Usage	10
6-1 Pre-operation inspections and checks	10
6-2 Precautions for use.....	11
6-3 Replacement of the tools (equipment)	12
6-4 Periodical inspections	13
7. Dimensions	13
8. Troubleshooting	15
8-1 Countermeasures?	15
9. Dimensional Drawing	15

1. Introduction



Thank you very much for your purchasing of the Spring Balancer. To prevent any trouble and obtain the best performance, please be sure to read this manual and fully understand its content.

Notation in this manual

Hazard levels

This product is designed with ultimate priority on the safety of operators. However, due to the nature of the system, there are risks that cannot be removed.

In this manual, the level of significance and risk is defined and indicated in three stages: “WARNING”, “CAUTION”, and “NOTICE”. Thoroughly read and fully understand the indicated items before operating the product and performing maintenance procedures. The indications for “WARNING”, “CAUTION”, and “NOTICE” are in order of risk significance (WARNING > CAUTION > NOTICE). Their details are described below.

 WARNING	A situation that, if mishandled, may cause death or serious disability.
 CAUTION	A situation that, if mishandled, may cause minor or moderate injury.
NOTICE	Indicates a situation that, if mishandled, may cause property damage.

The extent of the problem described above (disability, injury, and property damage) is defined as follows.


Serious disability: Loss of eyesight, wound, burn (high-temperature or low-temperature), electric shock, bone fracture, poisoning, and other injuries that leave aftereffects and that require hospitalization or long-term outpatient treatment.

Moderate injury: Burn, electric shock, bone fracture, and other injuries that do not require hospitalization or long-term outpatient treatment.

Minor injury: Scratch, bruise, laceration, and other injuries that have a minor impact on health.





Property damage: Extended damage to buildings, household articles, and injury to domestic animals or pets.

Other than WARNING, CAUTION, and NOTICE described above, matters important to workers are indicated using the following format.

 REMINDER	Describes important details to be remembered for the operation.
---	---

Symbols

This Users Manual uses the following symbols to simply provide information in addition to the indications above.

	Indicates a PROHIBITED action that must not be performed.		Indicates potential property damage or a danger that may inflict bodily injury.
	Indicates a REQUIRED action that must be performed.		Indicates that it is necessary to thoroughly read the manual and the relevant documents.

Illustrations

This manual covers multiple models of the Spring Balancer. If their functions and details of operations are identical and can be correctly described in the same way, illustrations are provided taking a specific model as an example. Therefore, please note that the illustrations may be different from the actual equipment.

Scope of warranty and liabilities for the equipment

Warranty and liabilities for the equipment

1. We will repair or replace the product free of charge if a failure due to manufacturing defects occurs under proper usage during the warranty period. For details, contact us or your dealer.
2. The warranty will be void in the following cases:
 - 1) Change of ownership.
 - 2) If the product is modified by others besides the manufacturer (, it is out of warranty).
3. The product is warranted for one year after purchasing, but the wire rope and the spring are out of warranty.
4. Repairs applicable to any of the following shall be charged even during the warranty period:
 - 1) Failure/damage caused by incorrect use.
 - 2) Failure/damage caused by use of non-authorized parts.
 - 3) Failure/damage caused by fire, earthquake, natural disaster, or other unexpected incident.
 - 4) Incident caused by fall, shock, negligence, or by inadequate storage.
 - 5) Failure/damage caused by use of parts or other equipment that are not included in this product.
 - 6) Replacement of consumables.
 - 7) Usage in violation of dangers or cautions stipulated in this manual.
 - 8) Failure/damage caused by any reason that is not attributable to the manufacturer.
5. Warranty exclusions such as opportunity loss.

Either during or after the warranty period, opportunity loss, damage to anything other than our product(s), or other duties imposed on you/your customer as a result of the failure of our product(s) are outside the scope of the warranty.

Copyright and liabilities

The copyright for this manual is issued to Endo Kogyo Co., Ltd.

The manual is provided for the limited purpose of supporting the safe and proper use of the product. It cannot be used for other purposes.

The customer may not use or make copies of this manual, in whole or in part, outside of this purpose without receiving prior consent from Endo Kogyo Co., Ltd.

The customer is also prohibited from translating or modifying the content of the manual, in whole or in part.

The content described in the manual is subject to change without advance notice. Please note this in advance.

Definition of intended users for this manual

This manual has been prepared to help all intended users involved with this product. From the stand point of safety, we have defined intended users according to their ability and experience and provided detailed descriptions for each group. This manual defines four user levels.

Operator	The operator is a user who engages in general operations. Maintenance and other operations that require special skills are excluded from the general operations. The operator is therefore not permitted to disassemble the main equipment. The operator should read the manual thoroughly and carry out their work with complete understanding of the operating procedures.
Maintenance operator	In addition to the work of the operator described above, the maintenance operator is permitted to perform installation, simple troubleshooting, and periodic inspections. The maintenance operator is required to develop sufficient knowledge and operating skill for this product. The maintenance operator should read the manual thoroughly and carry out their work with complete understanding of the equipment's characteristics and all work contents.







Management supervisor	The management supervisor is required to have sufficient knowledge of the product and advanced operating skill for this product. The management supervisor should manage not only the product itself but on-site operations that handle the product, comprehensively.
Service engineer	In The service engineer is a worker with special knowledge and skills for installing the product, investigating the causes of a failure or damage, and performing repairs and overhauls. Service engineering (the work by the service engineer) is performed by our service technicians or authorized service technicians.

Emergency contact in case of malfunctions

If any problem with the product arises, contact us or your dealer.

2. Precautions for handling

Incorrect handling of this product may cause damage to the product itself as well as a fire or injury. Thoroughly read the following precautions and be sure to heed the instructions when handling the machinery.

 WARNING	
	<ul style="list-style-type: none"> Do not use in explosive, flammable gas, or dusty atmospheres, any place where water or oil may splash, and near combustibles. This may cause fire or injury. Do not perform any modification of the product.
	The maintenance should be performed by a maintenance operator who has developed sufficient knowledge and operating skill for the balancer.
	<ul style="list-style-type: none"> Incorrect usage of the product may cause an injury. Use the product correctly in accordance with the descriptions in this manual. Particularly, “WARNING”, “CAUTION”, and “NOTICE” described in this manual must be fully understood and always observed. Install the product correctly in accordance with the descriptions in this manual.
 CAUTION	
	<ul style="list-style-type: none"> Be sure to perform daily and periodic inspections. Be sure to use the product within the capacity range that is described in “4-2-1 Specifications”.

3. Unpacking and Installation

3-1 Packaging arrangement and transportation

The standard set of this product is packaged for delivery in a cardboard box. The total weight of the package is the sum of the weight described in “4-2-1 Specifications” and the weight of the packing materials (approximately 0.1kg). When transporting the package, do not drop or allow impact to it. Prepare a box of a similar size for re-packaging.

3-2 Checks after unpacking

After opening the package, check that the following products are included. Please contact us if you find anything missing or damaged.

- Spring Balancer (main equipment) ---- 1 set
- Support site guide ----- 1 copy

4. Product Description

4-1 Operating environment

Installation location:	General indoor
Ambient temperature:	-10°C to +40°C (no freezing)
Humidity:	85% or less (no condensation)
Atmosphere:	Non-explosive, free of flammable or corrosive gas, or dust, water/oil should not splash directly

4-2 Product specifications

4-2-1 Specifications

Model	Capacity range (kg)	Factory setting load (kg)	Stroke (m)	Wire rope diameter (φ mm)	Mass (kg)
EK-00	0.5~1.5	1	0.5	2.0	0.2
EK-0	0.5~1.5	1	1.0	3.0	0.5

4-3 Applicable standards

■ Machinery Directive 2006/42/EC

EN ISO 12100 : Safety of machinery General principles for design Risk assessment risk reduction

Note: Only the standard specification of this product complies with the standards. If the product is used in combination with non-standard parts or modified by the customer, the standards may no longer be complied with. Please note this in advance.

5. Installation

WARNING



- Install the balancer correctly in accordance with the descriptions in this manual. Incorrect installation may cause an injury, property damage, or damage to the balancer.
- Be sure to attach an auxiliary wire rope or chain to the balancer to protect workers in case the top hook or the support member (metal hanger) for the balancer should be damaged.

CAUTION



The installation should be performed by a maintenance operator who has developed sufficient knowledge and operating skill for the balancer.

5-1 Preparation and checks before installation

5-1-1 Tools and equipment for installation

All of the following items must be prepared by the customer.

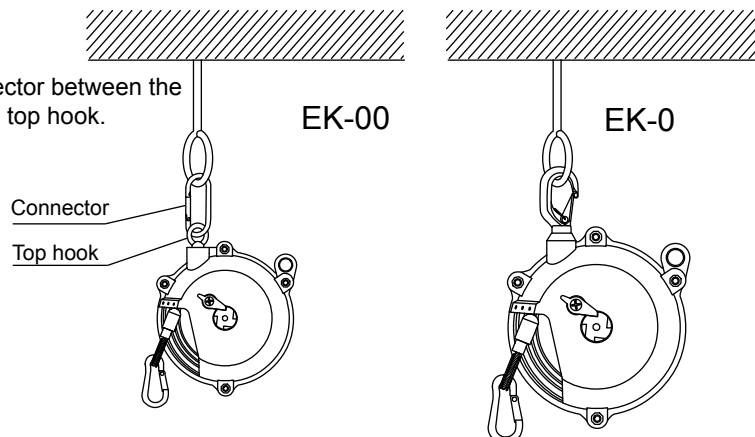
- Auxiliary wire rope or chain
- Support members (metal hangers)

5-1-2 Check of installation location

Before installing the product, check that the installation location does not have any of the following problems.

- 1 Check that the support members have a sufficient strength.
- 2 Ensure that sufficient space for performing maintenance, including the adjustment of the spring tension, is available on a side of the main equipment.
- 3 Ensure that adequate work space is available around the main equipment.
- 4 Check that the installation location has the installation environment described in “4-2 Operating environment”.
- 5 If a trolley is used, attach a carabiner.
- 6 Check that there are no sharp edges in the installation location.

EK-00 must install connector between the support member and the top hook.




5-2 Installation procedures

5-2-1 Installation of the Spring Balancer

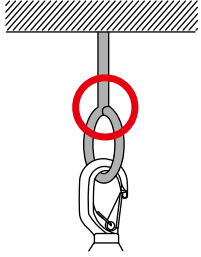
⚠ CAUTION

 Do not fix the top hook. Using the product with the top hook fixed may cause damage or a fall.

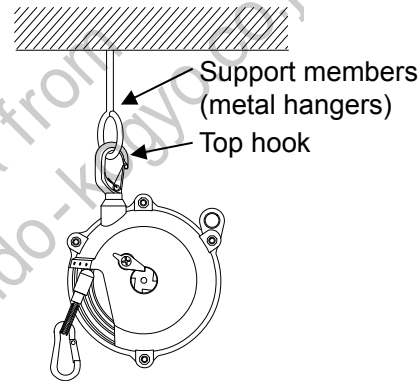
NOTICE

 Use a support member (metal hanger) with no opening as shown in the figure on the right, so that the balancer does not come off while in motion.

- Attach the support member such that the balancer does not collide with its surroundings.
- When installing multiple balancers alongside, place them at different heights so that they do not collide with each other.

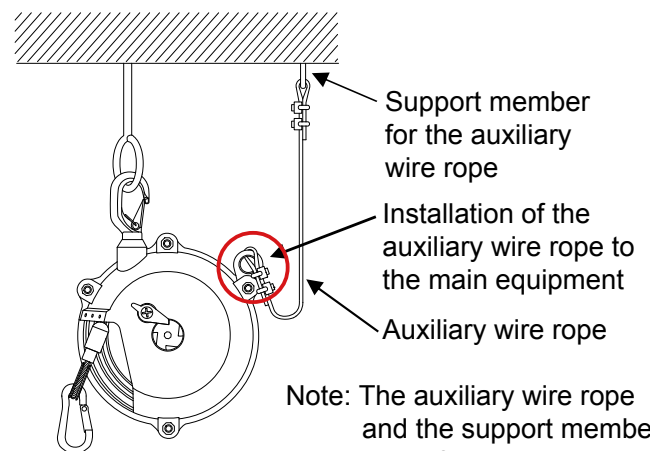


- 1 Prepare a support member (metal hanger) with a sufficient strength. Attach the top hook of the balancer directly to the support member (metal hanger).



Note: The support member (metal hanger) and the tool (equipment) in the figure are indicated for reference.

- 2 Check that the top hook latch is closed.
- 3 Ensure that the balancer moves freely.
- 4 Prepare an auxiliary wire rope or chain that has a strength at least 10 times greater than the maximum capacity of the balancer.
- 5 As shown in the figure on the right, attach an end of the auxiliary wire rope or chain to a support member (metal hanger) different from the support member (metal hanger) to which the top hook has been attached. Attach the other end of the auxiliary wire rope or chain to the main equipment of the balancer.



Note: The auxiliary wire rope and the support member in the figure are indicated for reference.

⚠ CAUTION

Loosen the auxiliary wire rope or chain to allow the balancer to move freely.
 The slack must be such that the balancer stops within 100 mm if the top hook or the support member (metal hanger) for the balancer are damaged and the balancer falls.

5-

5-2-2 Installation of tools (equipment) and adjustment of the spring tension

⚠ WARNING

Do not pull out the wire rope when the balancer is not loaded. If the wire rope is released by mistake while being pulled out without a load, it may quickly be wound up, causing an injury.

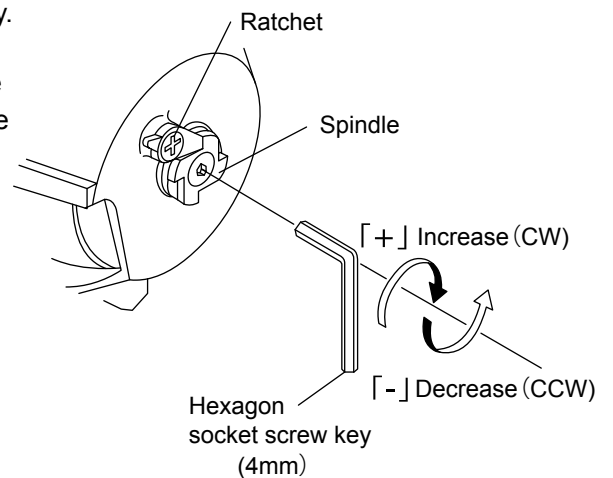
NOTICE

If the spring tension is set higher than the maximum capacity, not only will the specified stroke not be obtained, but the life of the spring will also be reduced. Also, if the spring tension is set lower than the minimum capacity, the fall-arrest device will be activated and prevent the vertical movement of the tool (equipment).

- 1 Check whether the total mass (weight) of the tool (equipment) and the accessories is within the capacity range of the balancer.
- 2 Lift the tool (equipment) and attach it to the bottom hook
 Do not pull out the wire rope.
 ※ If the tool (equipment) mass (weight) is over the spring tension, the tool (equipment) will fall down.
 Please hold the tool (equipment) and down slowly.

- 3 Turn the worm with a spanner of the like to adjust the spring tension. The tension will increase if you turn the worm in the "+" direction (clockwise) and the tension will decrease if you turn the worm in the "-" direction (counter clockwise).

- 4 After attaching the tool (equipment), perform readjustment and ensure that balance is achieved.



NOTICE

If the spring tension is too strong, the main equipment of the balancer or the wire rope may be damaged.

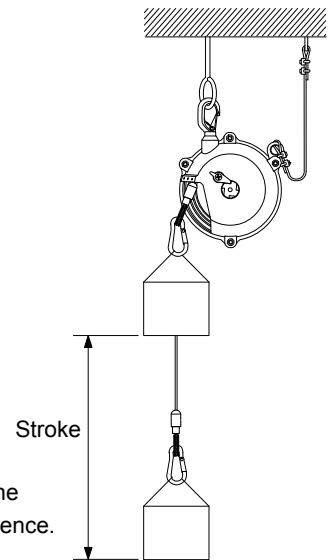
5-3 Post-installation checks

5-3-1 Checking the working range (stroke)

NOTICE	
	Do not extend the wire rope beyond the stroke. Doing so may damage the balancer.

- 1** Ensure that work can be performed within the range of the stroke. For the stroke of each product, see “4-2-1 Specifications”.
- 2** If the range of the stroke is insufficient, lower the installation height of the balancer or use an appropriate sling between the bottom hook and the tool (equipment).

Note: The auxiliary wire rope, the support member, and the tool (equipment) in the figure are indicated for reference.



6. Usage

6-1 Pre-operation inspections and checks

WARNING	
	If any abnormality is found as a result of inspection, do not use the balancer.
	If the range of the stroke is insufficient, lower the installation height of the balancer or use an appropriate sling between the bottom hook and the tool (equipment).

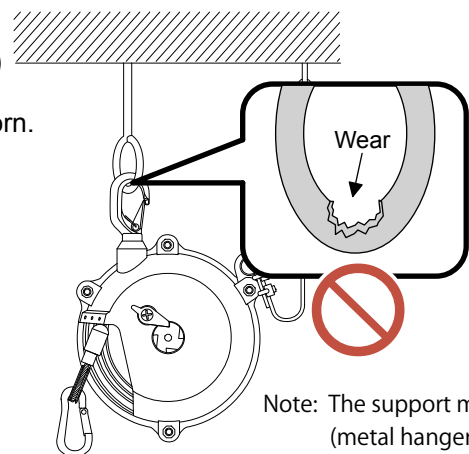
Inspect and check the following items before starting the operation:

■ Check of the surroundings

- 1** Ensure that there is no trash or unnecessary equipment around the balancer or in the work space.
- 2** If there is any obstacle and the like that cannot be removed, contact the person in charge of the work.

■ Inspection of the support member (metal hanger)

- 1** Check that the support member (metal hanger) is not worn.
- 2** If any wear is found, immediately stop the operation.

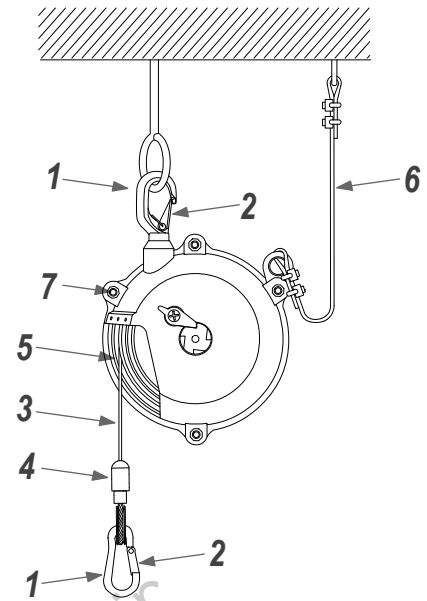


Note: The support member (metal hanger) in the figure is indicated for reference.

■ Check of the main equipment of the balancer

For the main equipment of the balancer, perform the following inspections and checks.

- 1 Check that the top and bottom hooks are not worn and can rotate smoothly.
- 2 Check that the latches of the top and bottom hooks are not deformed and do not come off the hooks.
- 3 Check that the wire rope is not worn (Note: particular attention should be paid to wire breakage and the base of terminal locks).
- 4 Check that the buffer is not worn or cracked.
- 5 Check that the case is not worn, the mounting bolts are not loose, and air is not leaking.
- 6 Check that the auxiliary wire rope (or chain) is not worn and the mounting bolts are not loose.
- 7 Check that the screws and the bolts in various parts are not loose.



Note: The support member (metal hanger) and the auxiliary wire rope in the figure are indicated for reference.

6-2 Precautions for use

⚠ WARNING



- Do not move directly under the tool (equipment) suspended from the balancer.
- Do not perform any modification of the balancer.
- Do not remove tools (equipment) with the wire rope pulled out. The wire rope may be quickly wound up, causing an injury.

CAUTION

⚠ CAUTION



Be sure to use the product within the capacity range. (Refer to the capacity range in "4-3-1 Specifications")

NOTICE



- Do not extend the wire rope further than its stroke.
- Do not extend the wire rope in an oblique direction.



Adjust the spring tension before the operation.

Remove the tool (equipment) while lifting it and with the wire rope completely wound inside the drum.

6-3 Replacement of the tools (equipment)

6-3-1 Method of removing the tool (equipment)

WARNING



- Do not move directly under the tool (equipment) suspended from the balancer.
- Do not remove tools (equipment) with the wire rope pulled out. The wire rope may be quickly wound up, causing an injury.

- 1 Confirm that the tool (equipment) can be moved up and down.
- 2 Lift the tool and wind the wire rope completely inside the drum.
- 3 Remove the tool (equipment).

6-3-2 Method of attaching the tool (equipment)

WARNING



- Do not move directly under the tool (equipment) suspended from the balancer.

CAUTION



- Be sure to use the product within the capacity range. (Refer to the capacity range in “4-3-1 Specifications”)

NOTICE



- Adjust the spring tension before the operation.

- 1 Check whether the total mass (weight) of the tool (equipment) and the accessories is within the capacity range of the balancer.
- 2 Install the tool (equipment) and adjust the spring tension in accordance with “0 Installation of tools (equipment) and adjustment of the spring tension”.

6-4 Periodical inspections

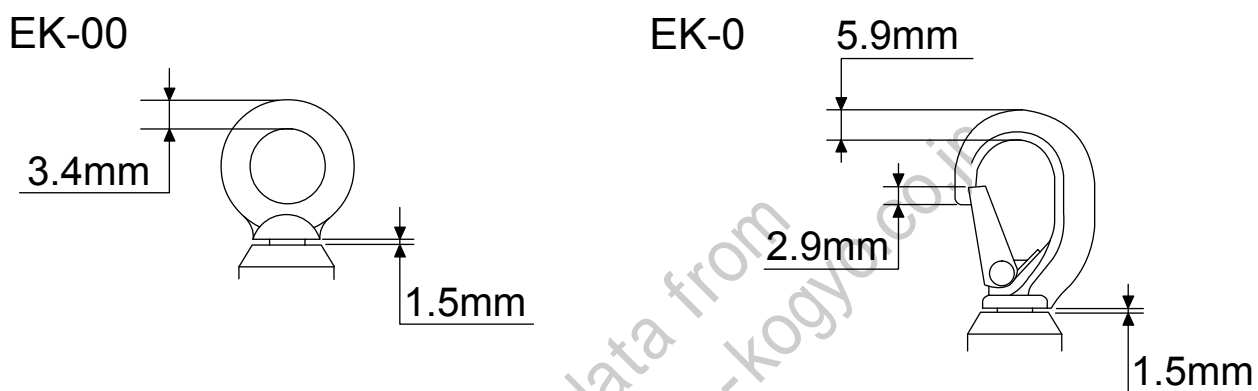
Inspect the balancer at least once a month.

Correct and repair any problems which are detected.

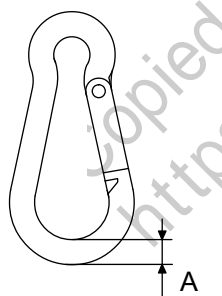
Make the inspection interval shorter when operating frequently or under hostile environments.

6-4-1 Inspection of the hook

■ Service limit of top hook



■ Service limit of bottom hook



Model	Limit dimension (mm)
	A
EK-00	4
EK-0	5

6-4-2 Inspection of the wire rope

See the figure below and measure the dimension of the wire rope. The wire rope must be replaced when the dimension has reached the limiting dimension or the limiting number of broken wires within one pitch. Stop using the balancer and change the wire rope (see “2-3 Replacement of the wire rope”), or contact us or your dealer.

■ Operating limit of the wire rope



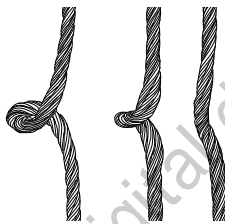
Model	Dimension J (mm)		Limiting number of broken wires within one pitch
	Reference dimension	Limiting dimension	
EK-00	2.0	1.8	5
EK-0	3.0	2.7	11

■ Check of the state of the wire rope

Check that there is no deformation or kink in the wire rope.



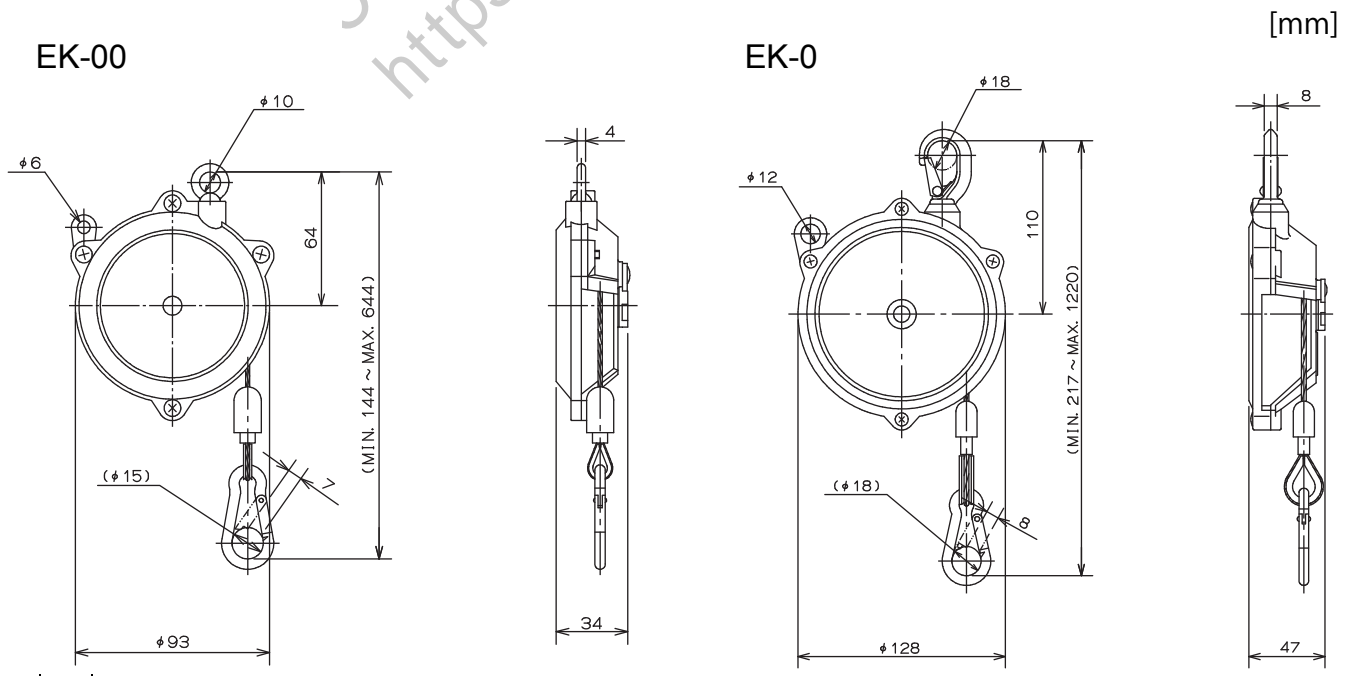
Deformation



Kink

Note: Kink is the state in which the wire rope is partially deformed due to torsion or looseness.

7. Dimensions



8. Troubleshooting

8-1 Countermeasures?

WARNING



- Do not remove the tool (equipment) attached to the wire rope end until the cause of the failure is identified. If the tool (equipment) is removed, the wire rope may be quickly wound up, causing an injury.

CAUTION



- If you notice anything unusual, stop the operation immediately. After checking the items listed in the table below, appropriate measures should be taken by a maintenance operator who has developed sufficient knowledge and operating skill for the balancer.
- If the situation does not relate to any of the listed items in the table below, contact us or your dealer.

Failure	Reason	Measure
• The wire rope cannot be pulled out or wound.	• The spring tension is increased too much and the spring has been tightly wound.	• Decrease the spring tension. See "0 Installation of tools (equipment) and adjustment of the spring tension".
	• The wire rope came off the groove on the drum and is caught between the casing and the drum.	• Return the wire rope to the groove on the drum. See "2-6 Countermeasures when the wire rope is caught between the drum and the casing" in "Repair Manual".

9. Disposal of Product

When disposing of the product, follow the local regulations of the area where the product to be disposed, and dispose it as industrial waste.

ENDO 遠藤工業株式会社

〒959-1261 新潟県燕市秋葉町3丁目14番7号
<http://www.endo-kogyo.co.jp>

本社営業部 〒959-1261 新潟県燕市秋葉町3丁目14番7号

TEL : 0256-62-5133 FAX : 0256-62-5772

エコファクトリー 〒959-1276 新潟県燕市小池5181番地1

TEL : 0256-63-9306 FAX : 0256-63-4393

東京営業部 〒101-0042 東京都千代田区神田東松下町12番2号JBSL神田ビル2F

TEL : 0256-63-9306 FAX : 0256-63-4393

名古屋営業所 〒460-0011 愛知県名古屋市中区大須1丁目7番14号パークIMビル3F

TEL : 052-253-6231 FAX : 052-253-6240

大阪営業部 〒556-0021 大阪府大阪市浪速区幸町2丁目3番14号ダイトービル3F

TEL : 052-253-6231 FAX : 052-253-6240

九州営業所 〒812-0013 福岡県福岡市博多区博多駅東3丁目11番15号文喜ビル3F

TEL : 052-253-6231 FAX : 052-253-6240

サービス営業グループ 〒959-1261 新潟県燕市秋葉町3丁目14番7号

TEL : 0256-64-4786 FAX : 0256-62-5772

E-mail : service@endo-kogyo.co.jp

ENDO KOGYO CO., LTD

3-14-7, Akiba cho, Tsubame, Niigata 959-1261, Japan
<http://www.endo-kogyo.co.jp> TEL : 81-256-62-5133

- 本書ならびに本製品の仕様は改善のために予告なしに変更することがあります。
- 本書の内容の無断転載を禁止します。
- This manual and the specifications of this product are subject to change for improvement without advance notice.
- It is strictly prohibited to reprint or copy any information contained in this manual.